

## External Rotor Centrifugal Fan

DCF Series low –noise centrifugal fan which we absorbed advanced technologies at home and abroad to research, develop and produce. All the structural parts of this series fan are using the mold production, and the impeller have been static and dynamic balance proofread, so our products are small volume, little vibration, low noise, high efficiency, large air volume, easy to install. Debug and so on. Our centrifugal fan is the ideal accessory products to the air-conditioning, purification, refrigeration and other industries

### Features

1. Performance parameters on the catalog were test in the standard state, performance curve marked with hydrostatic pressure
2. The gas transported by fans should be non-corrosive, non-flammable, non-explosive and without stick substances
3. Working conditions: ambient temperature not exceed +60°C, not lower than -40°C, relative humidity not more than 90%, altitude no more than 1000 meters
4. Fan divide into levorotation and dextrorotation. Face the end inlet of single-inlet centrifugal fan, and face the double-inlet centrifugal fan from the wire outlet, if the impeller rotates clockwise, we call it dextrorotation. Conversely, called it levorotation. The wind direction has 0°, 90°, 180° and other forms if there is a support with fan
5. Without support of products, we can add it as your request, also please show the fan model, specification, air flow, static pressure, the wind direction and levorotation or dextrorotation clearly

### Application

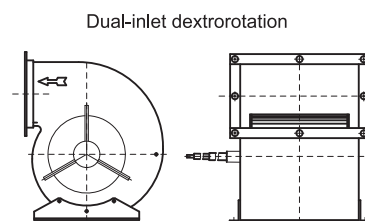
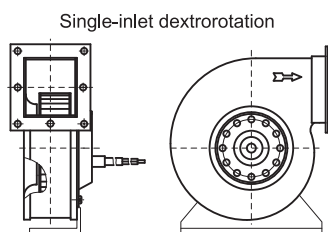
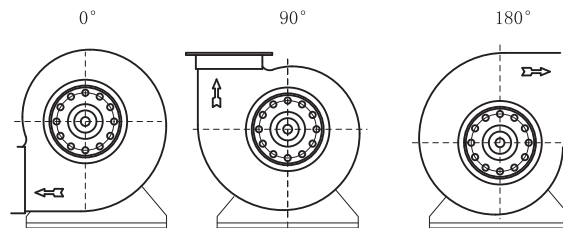
1. Ventilate to civil, industrial construction, laboratory, etc
2. Applies to environment and air-conditioning system which strict required on the noise

### Centrifugal Fan Model Introduction

#### YCF 4 E – 140 - Q D 1 a

1 2 3 4 5 6 7 8

1. Centrifugal fan
2. Number of poles
3. D: Three-phase motor / E: Single-phase motor
4. Diameter of the fan blade
5. Q: Forward curved impeller / H: Backward curved impeller
6. S: Single inlet / D: Double inlet / W: Without scroll housing
7. Series No.
8. A: 50Hz / B:60Hz

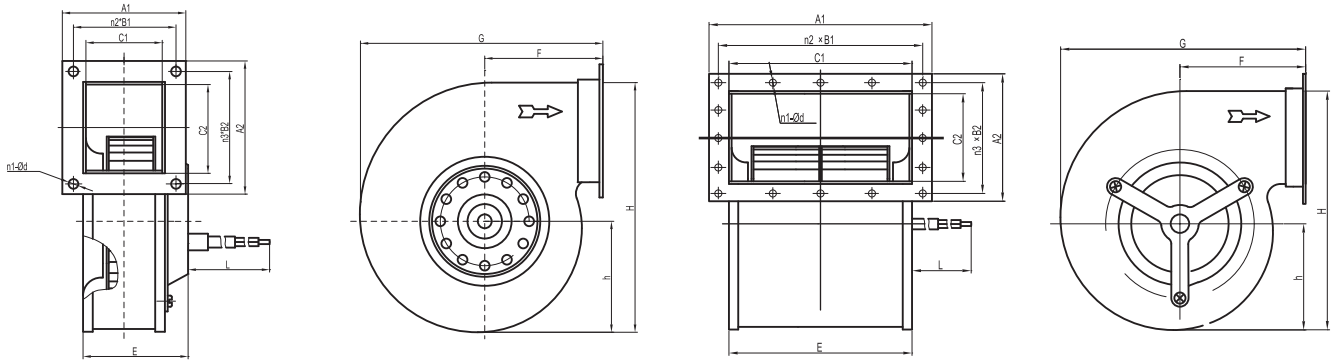


Single-inlet Dextrorotation



Dual-inlet Dextrorotation

Dimension



Dimension of Dual-inlet Centrifugal Fan

Dimension (mm)	A1	B1	C1	A2	B2	C2	d	E	L	F	G	H	h	n1	n2	n3
<b>Dimension of Single-inlet Centrifugal Fan</b>																
YCF-140-QS	135	120	99	127.5	110	92	6.5	102	1000	105	228	245	107	4	1	1
YCF-146-QS	135	120	99	127.5	110	92	6.5	102	1000	105	228	245	107	4	1	1
YCF-160-QS	135	120	99	127.5	110	92	6.5	102	1000	105	228	245	107	4	1	1
YCF-180A-QS	125	110	85	150	135	110	7.0	132	1000	120	261	281	123	4	1	1
YCF-180B-QS1a/b	180	80	130	135	82.5	135	7.0	158	1000	133	297	333	136	8	2	2
YCF-180B-QS2a/b	180	80	130	275	85	225	7.0	158	1000	133	297	333	136	10	2	3
YCF-200-QS1a/b	195	87.5	145	299.5	93	250	7.0	172	1000	147	329	371	151.5	10	2	3
YCF-200-QS2a/b	195	87.5	145	199.5	90	150	7.0	172	1000	147	329	371	151.5	8	2	2
YCF-225-QS1a/b	195	87.5	145	299.5	93	250	7.0	181	1000	158	328	371	151.5	10	2	3
YCF-225-QS2a/b	195	87.5	145	199.5	90	150	7.0	181	1000	158	328	371	151.5	8	2	2
YCF-250-QS1a/b	225	68	175	309.5	72.5	260	7.0	212	1000	194	389	390	172	12	3	4
YCF-250-QS2a/b	225	68	175	214.5	65	165	7.0	212	1000	194	389	390	172	10	3	3
YCF-250-QS3a/b	225	68	175	214.5	65	165	7.0	212	1000	194	389	390	172	10	3	3
<b>Dimension of Dual-inlet Centrifugal Fan</b>																
YCF-133A-QD	255	237	215	110	92	70	6.0	217	1000	90	174	180	79	6	1	1
YCF-133B-QD	270	252	230	140	122	100	6.0	232	1000	97	204	213	98	6	1	1
YCF-146-QD	270	252	230	140	122	100	6.0	232	1000	100	210	218	97	6	1	1
YCF-160-QD1a	310	73.5	270	145	129	105	6.0	312	1000	105	228	245	107	12	4	1
YCF-160-QD2a/b	270	63.5	230	145	129	105	6.0	272	1000	105	228	245	107	12	4	1
YCF-160-QD3a/b	310	73.5	270	145	129	105	6.0	312	1000	105	228	245	107	12	4	1
YCF-180-QD1a/b	300	70	250	275	63.5	225	7.0	252	1000	133	297	333	136	16	4	4
YCF-180-QD2a/b	300	70	250	185	82.5	135	7.0	252	1000	133	297	333	136	12	4	2
YCF-200-QD1a/2a/b	330	77.5	280	300	70	250	7.0	282	1000	147	329	370	151	16	4	4
YCF-225A-QD1a/b/2a	330	77.5	280	300	70	250	7.0	282	1000	158	328	370	151.5	16	4	4
YCF-225B-QD1a/b	380	90	330	300	70	250	7.0	332	1000	158	328	370	151.5	16	4	4
YCF-225B-QD2a/b	380	90	330	200	90	150	7.0	332	1000	158	328	370	151.5	12	4	2
YCF-225B-QD3a/b	380	90	330	300	70	250	7.0	332	1000	158	328	370	151.5	16	4	4
YCF-250-QD1a/b	345	81	295	309.5	72.5	260	7.0	297	1000	194	389	390	172	16	4	4
YCF-250-QD2a/b	345	81	295	214.5	65	165	7.0	297	1000	194	389	390	172	14	4	3
YCF-250-QD3a/b	345	81	295	214.5	65	165	7.0	297	1000	194	389	390	172	14	4	3

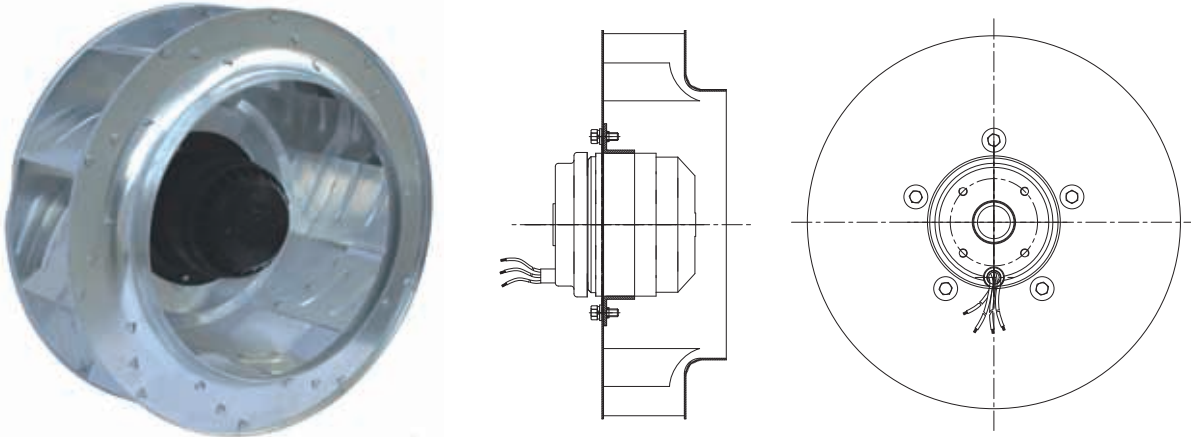
## Technical Data

Model	Voltage V	Frequency Hz	Current A	Power Input W	Speed rpm	Noise dBA	Capacitor $\mu$ F	Static Pressure Pa	Air Flow m <sup>3</sup> /h	Weight kg
<b>YCF-140- QS Series Single - inlet Centrifugal Fan</b>										
YCF2E-140-QS1a	230	50	0.52	110	1500	60	2.0/450	0	370	2.6
YCF2E-140-QS1b		60	0.53	120	1600	58	2.0/450	0	380	
YCF2E-140-QS2a	230	50	0.63	140	1660	64	2.0/450	0	385	2.9
YCF2E-140-QS2b		60	0.68	150	1700	61	2.0/450	0	400	
YCF2E-140-QS3a	230	50	0.75	165	2420	73	4.0/450	0	480	2.9
YCF2E-140-QS3b		60	0.95	210	2350	72	4.0/450	0	490	
<b>YCF-146-QS Series Single - inlet Centrifugal Fan</b>										
YCF2E-146-QS1a	230	50	0.65	150	1580	62	3.0/450	0	475	2.6
YCF2E-146-QS1b		60	0.73	185	1600	65	3.0/450	0	480	
<b>YCF-160A-QS Series Single - inlet Centrifugal Fan</b>										
YCF2E-160-QS1a	230	50	1.15	240	2100	73	6.0/450	0	600	4.0
YCF2E-160-QS1b		60	1.26	280	1300	72	6.0/450	0	610	
YCF4E-160-QS2a	230	50	0.33	70	1300	66	2.0/450	0	410	3.1
YCF4E-160-QS2b		60	0.42	90	1400	68	2.0/450	0	440	
<b>YCF-180A- QS Series Single - inlet Centrifugal Fan</b>										
YCF2E-180A-QS1a	230	50	1.85	420	2000	74	8.0/450	0	750	6.1
YCF2E-180A-QS1b		60	1.96	440	2150	72	8.0/450	200	640	
YCF4E-180A-QS2a	230	50	0.53	125	1250	66	4.0/450	0	580	3.8
YCF4E-180A-QS2b		60	0.64	145	1400	67	4.0/450	0	600	
<b>YCF-180B- QS Series Single - inlet Centrifugal Fan</b>										
YCF4D-180B-QS1a	400/230 Y/ $\Delta$	50	0.58	265	1345	73	-	0	1110	6.6
YCF4D-180B-QS1b		60	0.63	240	1440	72	-	0	1150	
YCF4E-180B-QS2a	230	50	0.99	230	1318	73	5.0/450	0	1130	6.6
YCF4E-180B-QS2b		60	0.88	220	1400	69	5.0/450	130	900	
<b>YCF-200- QS Series Series - inlet Centrifugal Fan</b>										
YCF4D-200-QS1a	400/230 Y/ $\Delta$	50	0.68	370	1350	72	-	0	1660	7.2
YCF4D-200-QS1b		60	0.64	350	1550	70	-	180	1400	
YCF4E-200-QS2a	230	50	1.30	290	1320	70	8.0/450	0	1365	7.2
YCF4E-200-QS2b		60	1.65	360	1480	70	8.0/450	50	1389	
<b>YCF-225- QS Series Series - inlet Centrifugal Fan</b>										
YCF4D-225-QS1a	400/230 Y/ $\Delta$	50	0.84	460	1310	76	-	0	1800	10.1
YCF4D-225-QS1b		60	0.93	515	1420	74	-	100	1800	
YCF4E-225-QS2a	230	50	2.42	495	1330	74	6.0/450	0	1700	10.3
YCF4E-225-QS2b		60	2.75	560	1500	73	6.0/450	120	1600	
<b>YCF-250- QS Series Series - inlet Centrifugal Fan</b>										
YCF4D-250-QS1a	400/230 Y/ $\Delta$	50	1.68	820	1300	78	-	0	2620	14
YCF4D-250-QS1b		60	1.26	730	1580	74	-	300	1960	
YCF4E-250-QS2a	230	50	2.51	590	1250	75	10/450	0	2030	14
YCF4E-250-QS2b		60	3.15	700	1475	76	10/450	100	1900	
YCF6E-250-QS3a	230	50	1.15	230	880	67	6.0/400	0	1500	12
YCF6E-250-QS3b		60	1.42	300	930	68	6.0/400	0	1610	

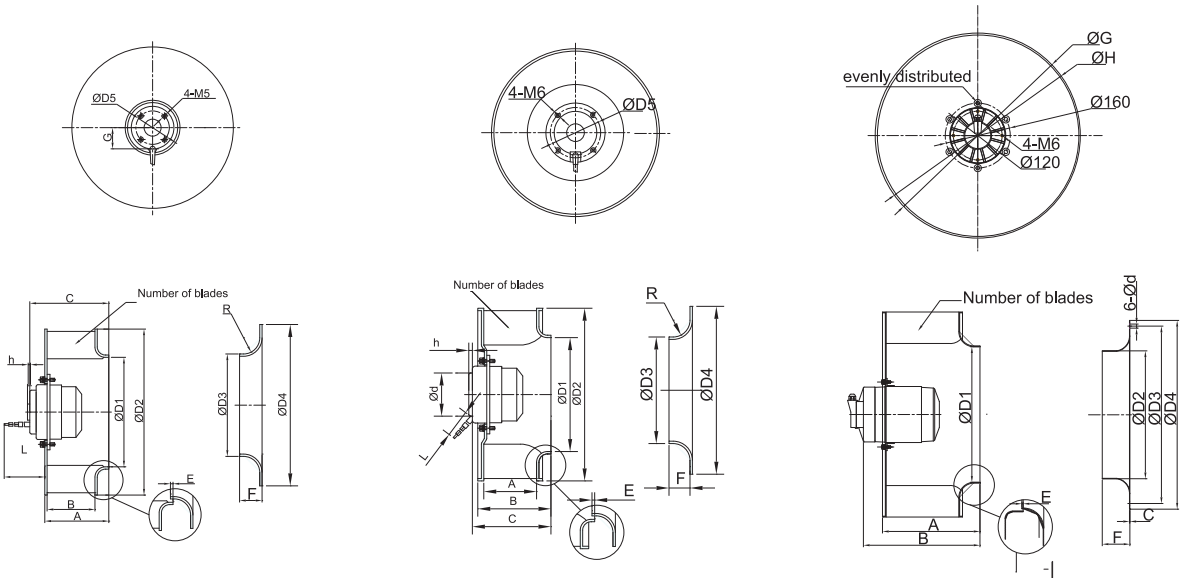
## Technical Data

Model	Voltage V	Frequency Hz	Current A	Power Input W	Speed rpm	Noise dBA	Capacitor $\mu$ F	Static Pressure Pa	Air Flow $m^3/h$	Weight kg
<b>YCF-133-QD Series Dual-inlet Centrifugal Fan</b>										
YCF2E-133A-QD1a	230	50	0.85	190	1500	60	3.0/450	0	680	3.7
YCF2E-133A-QD1b		60	0.91	200	1800	58	3.0/450	90	520	
YCF2E-133A-QD2a	230	50	0.33	75	1200	53	2.0/450	0	510	2.9
YCF2E-133A-QD2b		60	0.37	85	1240	55	2.0/400	0	540	
YCF2E-133B-QD1a	230	50	0.86	190	1180	57	3.0/450	0	800	4.5
YCF2E-133B-QD1b		60	0.88	200	1580	56	3.0/450	80	620	
YCF2E-133B-QD2a	230	50	0.35	75	1100	53	2.0/450	0	670	3.5
YCF2E-133B-QD2b		60	0.4	85	1150	53	2.0/450	0	690	
<b>YCF-146-QD Series Dual-inlet Centrifugal Fan</b>										
YCF2E-146-QD1a	230	50	1.1	250	1660	61	6.0/450	70	950	4.5
YCF2E-146-QD1b		60	1.23	270	2100	63	6.0/450	240	700	
YCF2E-146-QD2a	230	50	0.46	100	1000	56	2.0/450	0	830	4
YCF2E-146-QD2b		60	0.53	120	960	54	2.0/450	0	770	
<b>YCF-160-QD Series Dual-inlet Centrifugal Fan</b>										
YCF2E-160-QD1a	230	50	1.9	410	1860	65	10.0/450	150	1300	6.0
YCF4E-160-QD2a	230	50	0.81	180	1300	64	5.0/450	0	1240	4.8
YCF4E-160-QD2b		60	1.1	250	1350	65	5.0/450	0	1260	
YCF4E-160-QD3a	230	50	0.83	188	1350	65	6.0/450	0	1300	6.1
YCF4E-160-QD3b		60	1.21	275	1450	68	6.0/450	0	1400	
<b>YCF-180-QD Series Dual-inlet Centrifugal Fan</b>										
YCF4D-180-QD1a	400/230	50	0.55	290	1050	63	-	0	1900	9.8
YCF4D-180-QD1b	Y/ $\Delta$	60	0.63	360	1080	63	-	0	2000	
YCF4E-180-QD2a	230	50	1.6	360	1330	66	10.0/450	0	1900	11.2
YCF4E-180-QD2b		60	2.03	460	1380	67	10.0/450	0	2050	
<b>YCF-200-QD Series Dual-inlet Centrifugal Fan</b>										
YCF4D-200-QD1a	400/230 Y/ $\Delta$	50	0.91	480	1100	64	-	0	2500	12
YCF4E-200-QD2a	230	50	2.16	470	1080	61	10.0/450	0	2450	12
YCF4E-200-QD2b		60	2.32	530	1280	62	10.0/450	150	2100	
<b>YCF-225A-QD Series Dual-inlet Centrifugal Fan</b>										
YCF4D-225A-QD1a	400/230 Y/ $\Delta$	50	1.17	690	1050	65	-	0	2950	12.6
YCF4E-225A-QD2a	230	50	1.4	740	1100	63	10.0/450	50	2750	12.6
YCF4E-225A-QD2b		60	3.1	680	1150	66	15.0/450	50	2800	
<b>YCF-225B-QD Series Dual-inlet Centrifugal Fan</b>										
YCF4D-225B-QD1a	400/230	50	2.12	1145	1250	78	-	0	4350	16
YCF4D-225B-QD1b	Y/ $\Delta$	60	2.32	1290	1380	75	-	150	4000	
YCF4E-225B-QD2a	230	50	5.5	1070	1250	75	10.0/450	0	3700	12
YCF4E-225B-QD2b		60	5.41	1090	1440	72	10.0/450	200	3200	
YCF4E-225B-QD3a	230	50	1.72	375	820	61	10.0/450	20	2700	16
YCF4E-225B-QD3b		60	1.92	420	920	61	10.0/450	80	2500	
<b>YCF-250-QD Series Dual-inlet Centrifugal Fan</b>										
YCF4D-250-QD1a	400/230	50	2.40	1290	1230	77	-	50	4040	17
YCF4D-250-QD1b	Y/ $\Delta$	60	2.30	1280	1430	73	-	310	3500	
YCF4E-250-QD2a	230	50	6.15	1260	1230	75	14.0/450	0	3730	16.5
YCF4E-250-QD2b		60	5.72	1240	1480	72	14.0/400	280	3250	
YCF6E-250-QD3a	230	50	2.34	490	800	67	10.0/400	0	2400	14.5
YCF6E-250-QD3b		60	2.35	520	770	68	10.0/400	0	2350	

Backward Curved Impeller Centrifugal Fans



Dimension of Backward Curved Impeller Centrifugal Fans



YCF-250 / 280

YCF-315 / 355 / 400

YCF-450 / 500

Dimension (mm)	A	B	C	h	L	N	E	F	R	D1	D2	D3	D4	D5	G
YCF-250	85	56	143	2	500	11	2	31	28	172	250	166	255	58,5	38
YCF-280-1a	82	50	102	2	500	11	2	35	32	190	281	183	300	58,5	38
YCF-280-2a/b	112	80	142	2	500	11	2	35	32	190	281	183	300	58,5	38

Dimension (mm)	A	B	C	h	L	N	E	d	F	R	D1	D2	D3	D4	D5
YCF-315	101	139	162	5	500	6	2	75	27	25	219	315	212	350	90
YCF-355A	99	150	180	5	500	6	2	75	30	35	248	355	242	350	90
YCF-355B	123	172	200	5	500	6	2	75	30	35	248	355	242	350	90
YCF-400	90	142	170	5	500	6	2	75	50	48	268	405	259	405	90

Dimension (mm)	A	B	C	h	L	N	E	d	F	R	D1	D2	D3
YCF-450	218	272	6	297	286	393	414	1	9	2	70	504	445
YCF-500A	240	287	6	334	315	437	465	1	10	2	68	505	500
YCF-560B	270	243	6	374	363	484	515	2	10	2	90	705	565

#### Technical Data

Model	Voltage V	Frequency Hz	Current A	Power Input W	Speed rpm	Noise dBA	Capacitor $\mu$ F	Static Pressure Pa	Air Flow $m^3/h$	Weight kg
<b>YCF-250-HW Series Backward Curved Impeller Centrifugal Fan</b>										
YCF2E-250-HW1a	230	50	0.73	160	2600	76	5.0/450	0	1400	3.3
YCF2E-250-HW1b		60	0.98	220	2700	77	5.0/450	0	1500	
YCF4E-250-HW2a	230	50	0.23	45	1400	62	1.5/450	0	800	2.4
YCF4E-250-HW2b		60	0.23	45	1600	64	1.0/450	0	900	
<b>YCF-280-HW Series Backward Curved Impeller Centrifugal Fan</b>										
YCF2E-280-HW1a	230	50	1.04	230	2700	76	7.0/450	0	2100	3.1
YCF4E-280-HW2a	230	50	0.39	80	1420	63	2.5/450	0	1450	2.9
YCF4E-280-HW2b		60	0.45	110	1640	68	2.5/450	0	1700	
<b>YCF-315-HW Series Backward Curved Impeller Centrifugal Fan</b>										
YCF4D-315-HW1a	230/400 Y/ $\Delta$	50	0.35	110	1400	61	-	0	2100	3.5
YCF4D-315-HW1b		60	0.33	150	1600	63	-	0	2450	
YCF4E-315-HW2a	230	50	0.58	120	1400	60	4.0/450	0	2100	3.5
YCF4E-315-HW2b		60	0.74	160	1530	63	4.0/450	0	2400	
YCF6E-315-HW3a	230	50	0.25	50	930	51	1.5/450	0	1400	3.5
YCF6E-315-HW3b		60	0.29	60	1050	54	1.5/450	0	1650	
<b>YCF-315-HW Series Backward Curved Impeller Centrifugal Fan</b>										
YCF4E-355A-HW1a	230	50	0.83	180	1400	66	6.0/450	0	2600	4.8
YCF4E-355A-HW1b		60	1.16	250	1600	69	6.0/450	0	3000	
YCF6E-355A-HW2a	230	50	0.32	70	930	55	2.0/450	0	1700	3.6
YCF6E-355A-HW2b		60	0.39	90	1020	58	2.0/450	0	1900	
YCF4E-355B-HW3a	230	50	1.1	250	1410	67	6.0/450	0	3100	5.5
YCF4E-355B-HW3b		60	1.3	300	1580	70	6.0/450	0	3300	
YCF6E-355B-HW4a	230	50	0.33	75	900	56	2.0/450	0	1900	4.3
YCF6E-355B-HW4b		60	0.41	95	980	58	2.0/450	0	2000	
<b>YCF-400-HW Series Backward Curved Impeller Centrifugal Fan</b>										
YCF4E-400-HW1a	230	50	1.48	340	1400	73	6.0/450	0	3100	5.5
YCF4E-400-HW1b	230	60	2.13	490	1560	75	6.0/450	0	3500	
<b>YCF-450-HW Series Backward Curved Impeller Centrifugal Fan</b>										
YCF4E-450-HW1a	230	50	3.0	650	1380	74	10/450	0	5760	11
YCF4D-450-HW2a	400 Y/ $\Delta$	50	1.75/0.95	650/550	1280/1080	74	-	0	5760	9.5
<b>YCF-500-HW Series Backward Curved Impeller Centrifugal Fan</b>										
YCF4E-500-HW1a	230	50	4.2	900	1350	77	12/450	0	8100	17
YCF4D-500-HW2a	400 Y/ $\Delta$	50	2.85/1.35	1000/680	1330/1030	77	-	0	8100	
<b>YCF-560-HW Series Backward Curved Impeller Centrifugal Fan</b>										
YCF4D-560-HW1a	400 Y/ $\Delta$	50	3.0/1.85	1550/950	1250/860	79	-	0	10310	23